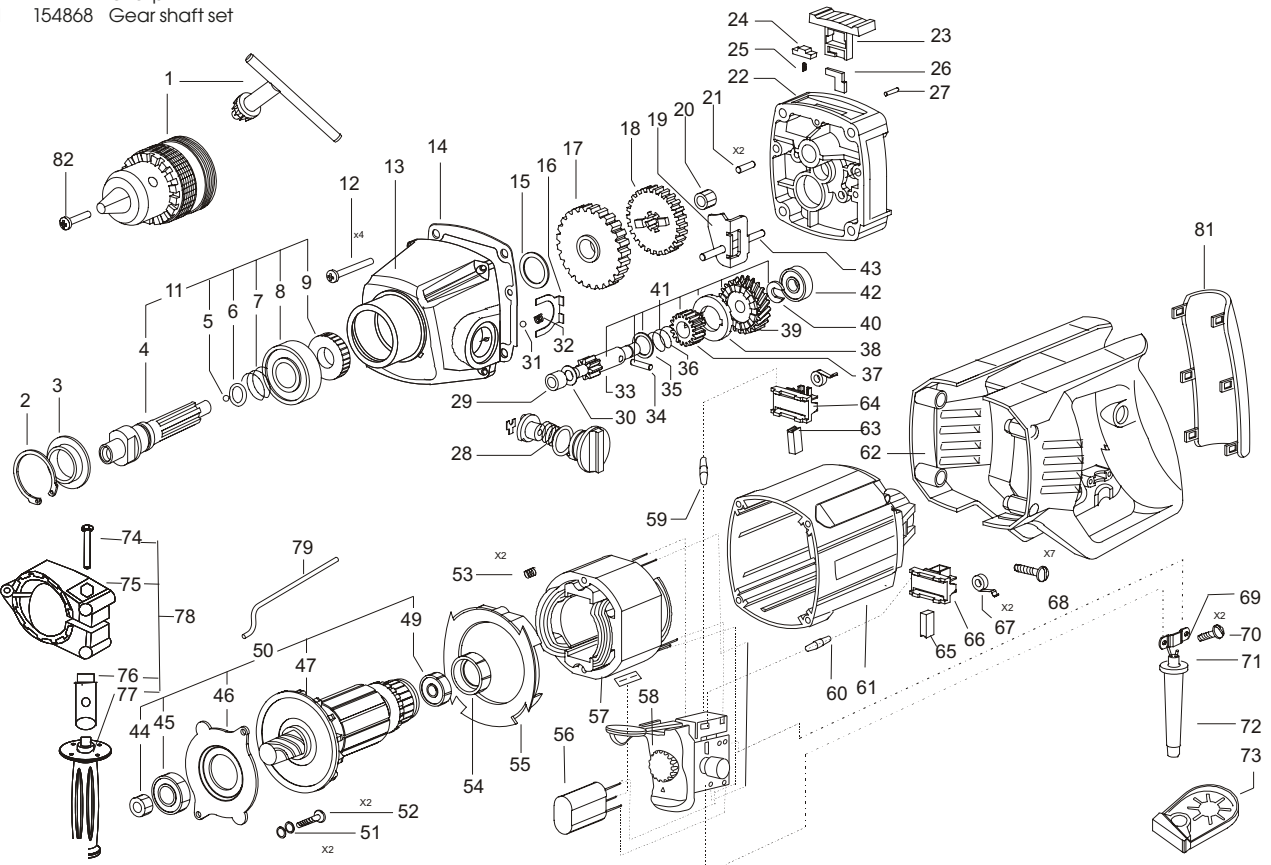


POS. No.	Ref.No.	Description	POS. No.	Ref.No.	Description
1	124612	Chuck 16M	41**	116818	Gear shaft set
2	920048	Circlip J35x1.2	42	330308	Bearing 6082ZP63LDS18
3	116805	Protective washer	43	116816	Axle
4	152355	Spindle	44	117012	Bush
5	330074	Pellet 5-200	45	330945	Bearing 6000 2RSL P63 LDS18SpA
6	330341	O-ring 13X2B	46	117011	Bearing cover
7	116797	Spring	47	100429	Fan
8	330232	Bearing 6003-2RS	49	330287	Bearing 627-2ZP6LDS18
9	116799	Hammer bush	50	116891	Armature set
11	152356	Spindle set	51	360010	Spring washer 4H
12	361409	Screw K5X45 TORX 20	52	360314	Screw M4x12
13	143233	Gear box set	53	122859	Spring
14	152350	Gasket	54	164934	Rubber bush
15	116806	Spacer washer	55	129830	Diffuser
16	116817	Fixing panel	56	152377	Capacitor set
17	116807	Spindle gear I	57	122860	Stator set
18	116808	Spindle gear II	58	173348	Switch Defond DGQ 1106HOHBR
19	116809	Switching plate	59	119884	Choke
20	330233	Bearing HK0810RS	60	119885	Choke
21	127498	Pin	61	152348	Body
22	143236	Bearing shield	62	152357	Casing handle set
23	128170	Hammer switch	63	120964	Brush with a switch
24	119814	Fixing bit	64	116892	Brush holder set
25	130580	Spring	65	120965	Brush
26	116831	Plate	66	116893	Brush holder set
27	116884	Pin	67	112257	Spiral spring
28	131575	Speed Change Knob	68	361425	Screw K4X16 TORX 20
29	933756	Bearing HK0709	69	256500	Cord clamp
30	140033	Spacer washer	70	361360	Screw K 4X9.5 TORX 20
31	330073	Pellet 3.5-200	71	158698	Cord with a plug euro plug RAL 3020
32	130580	Spring	72	206687	Cord protector
33	154857	Gear shaft	73	114292	Key holder
33**	116819	Gear shaft	74	360664	Bolt D1-M8X55
34	117817	Pin	75	152479	Semi-ring couple
35	116820	Spacer washer	76	152362	Handle extension
36	116821	Spring	77	121265	Handle
37	116822	Spindle gear II for Gear shaft	78	152364	Auxiliary handle
38	154858	Profile washer	79	151159	Depth gauge
38**	116823	Profile washer	81	128006	Insert
39	154866	Large intermediate gear	82	360777	Screw M6LHx30
39**	116824	Large intermediate gear			
40	154867	Circlip			
40**	119144	Circlip			
41	154868	Gear shaft set			

** - fill 11.Oct.2011



165096

143428